



CLICK ANYWHERE FOR MORE DETAILS

MANUAL PREVIEW

*White*  
Service Manual

6045

2 & 4 Wheel Drive

JENSALES.COM

or Call 800-443-0625



CLICK ANYWHERE FOR MORE DETAILS

THIS IS A MANUAL PRODUCED BY JENSALES INC. WITHOUT THE AUTHORIZATION OF  
WHITE OR IT'S SUCCESSORS. WHITE AND IT'S SUCCESSORS  
ARE NOT RESPONSIBLE FOR THE QUALITY OR ACCURACY OF THIS MANUAL.

TRADE MARKS AND TRADE NAMES CONTAINED AND USED HEREIN ARE THOSE OF OTHERS,  
AND ARE USED HERE IN A DESCRIPTIVE SENSE TO REFER TO THE PRODUCTS OF OTHERS.

Service Manual

WH-S-6045

# 6045

CLICK ANYWHERE FOR MORE DETAILS

## TRACTOR SERVICE MANUAL

### TABLE OF CONTENTS

TITLE - SECTION	TAB NUMBER
GENERAL INFORMATION	1
ENGINE - A	2
TRANSMISSION - B	3
FRONT AXLE & STEERING - C	4
BRAKES - D	5
HYDRAULICS - E	6
ELECTRICAL - F	7
MISCELLANEOUS - G	8

**JENSALES.COM**  
**or Call 800-443-0625**

CLICK ANYWHERE FOR MORE DETAILS

TABLE OF CONTENTS

CLICK ANYWHERE FOR MORE DETAILS

DIMENSIONS AND WEIGHTS ..... 2

CONVERSION TABLE ..... 3

HOW TO ORDER SPARE PARTS ..... 4

FILLING OPERATIONS ..... 5

MANUAL PREVIEW

**JENSALES®**

purchase full manual at

**JENSALES.COM**  
**or Call 800-443-0625**

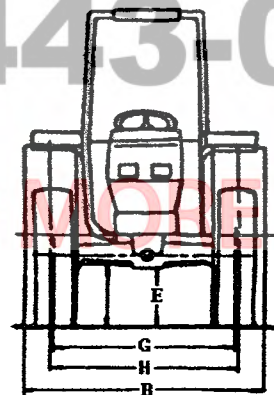
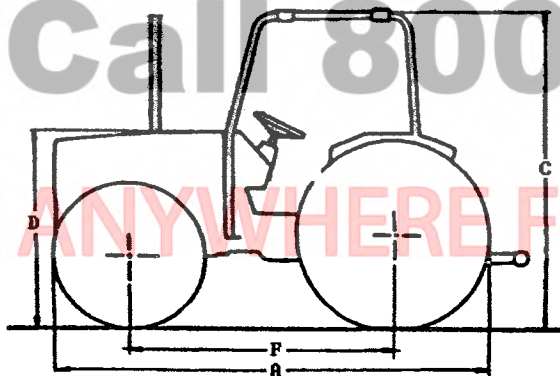
CLICK ANYWHERE FOR MORE DETAILS

DIMENSIONS AND WEIGHTS

		2WD	4WD
max. length without lower link	(A) inch mm	133 3380	
min./max. width	(B) inch mm	67.7-82.5 1695-2095	
max. height to safety frame	(C) inch mm	87.9 2232	
height to hood	(D) inch mm	58.9 1495	
ground clearance under the axle	(E) inch mm	12.2 310	
wheelbase	(F) inch mm	77.8 1975	75.8 1926
front tread	(G)		
minimum	inch mm	48.4 1230	52.7 1340
maximum	inch mm	60.2 1530	68.5 1740
rear tread	(H)		
minimum	inch mm	51.2 1300	
maximum	inch mm	66.9 1700	
front tires, standard		6.50-16"	8.00-20" or 260/80R20
rear tires, standard		13.6R28	13.6R28
tractor in operating conditions, w/out ballasting and with safety frame	lbs. kg	4075 1850	4516 2050
minimum turning radius (w/o brakes)	inch mm	133.8 3400	135.8 3450

JENSALES.COM

or Call 800-443-0625



## TABLE OF CONTENTS

ENGINE CUTAWAY VIEWS .....	A4
GENERAL INFORMATION .....	A6
TIMING SPECIFICATIONS .....	A7
LUBRICATION SYSTEM SPECIFICATIONS .....	A8
FUEL SYSTEM SPECIFICATIONS .....	A9
COOLING SYSTEM SPECIFICATIONS .....	A10
ENGINE BLOCK .....	A11
INSTALLING BUSHINGS INTO THE CAMSHAFT BEARINGS .....	A11
TIMING CASE .....	A13
TIMING IDLER GEAR .....	A15
CYLINDERS .....	A17
GENERAL CLEANING .....	A17
CHECKING CYLINDERS .....	A17
CRANKSHAFT .....	A24
CHECKING CRANKSHAFT .....	A25
CHECKING CRANKSHAFT JOURNAL OUT-OF-ROUNDNESS AND TAPER .....	A25
CHECKING THE BEARING SHELLS .....	A25
MOUNTING MAIN BEARING CAPS .....	A26
CLEANING CRANKSHAFT AND CYLINDER BLOCK INTERNAL PASSAGES .....	A26
CHECKING CRANKSHAFT END PLAY .....	A26
CONNECTING RODS .....	A28
PISTONS - GUDGEON PINS - PISTON RINGS .....	A30
PISTONS .....	A30
PISTON RINGS .....	A30
CLEANING PISTONS .....	A32
CHECKING PISTONS .....	A32
CHECKING GUDGEON PIN AND GUDGEON PIN SEAT IN PISTON .....	A32
CHECKING PISTON RING END GAP .....	A32
INSTALLING PISTONS .....	A33
ENGINE FLYWHEEL .....	A34
CAMSHAFT .....	A36
CHECKING CAMSHAFT .....	A36
CHECKING CAMSHAFT BUSHINGS .....	A36
CHECKING TIMING GEAR .....	A36
CYLINDER HEADS - VALVES - VALVE ROCKERS .....	A37

CLICK ANYWHERE FOR MORE DETAILS

## A2 - ENGINE

CYLINDER HEAD .....	A38
CLEANING CYLINDER HEADS .....	A39
CHECKING VALVE SEATS .....	A39
CHECKING VALVES .....	A39
TESTING VALVE TIGHTNESS .....	A39
CHECKING VALVE GUIDES .....	A39
CHECKING PUSH RODS .....	A40
CHECKING VALVE SPRINGS .....	A40
CHECKING ROCKER ARMS .....	A40
ADJUSTING VALVE CLEARANCE .....	A40
INSTALLING CYLINDER HEADS .....	A41
CHECKING ENGINE COMPRESSION .....	A41
LUBRICATION SYSTEM .....	A42
OIL PUMP .....	A42
CHECKING PRESSURE RELIEF VALVE .....	A42
1000 SERIES ENGINE OIL FUNCTIONS AND FLOWS .....	A43
OIL FLOWS AND FUNCTIONS .....	A43
FITTING SHIMS BETWEEN ENGINE OIL PAN AND FRONT SUPPORT .....	A45
FUEL INJECTION NOZZLES .....	A46
CHECKING FUEL INJECTION NOZZLES .....	A46
INJECTION NOZZLE CALIBRATION .....	A46
FUEL SYSTEM .....	A47
CHECKING INJECTION NOZZLE SEAT TIGHTNESS .....	A47
CHECKING INJECTION NOZZLE SPRAYING EFFICIENCY .....	A47
ENGINE GOVERNOR .....	A48
AUTOMATIC EXTRA FUEL SUPPLY DEVICE .....	A48
ENGINE FUEL SHUT-OFF CONTROL .....	A48
ENGINE SPEED TACHOMETER DRIVE .....	A48
ANTI-HUNTING DEVICE .....	A48
MECHANICAL GOVERNOR REPLACEMENT .....	A49
REMOVAL OF GOVERNOR ASSEMBLY .....	A49
INSTALLATION .....	A49
GOVERNOR ASSEMBLY ADJUSTMENTS .....	A49
INSTALLING ENGINE GOVERNOR WEIGHTS .....	A54
ASSEMBLING ENGINE GOVERNOR .....	A54
LOWER CASING .....	A54
REGULATING THE ENGINE GOVERNOR .....	A54
UPPER CASING .....	A57
POSITIONING GOVERNOR LEVER M .....	A57
CALIBRATING ENGINE GOVERNOR .....	A57
ENGINE GOVERNOR CONTROL ASSEMBLY .....	A58
BEVEL GEAR DRIVE ASSEMBLY .....	A58
INSTALLING THE PINION .....	A58
INSTALLING THE CROWN GEAR .....	A58
INSTALLING THE BEVEL GEAR ASSEMBLY INTO THE CYLINDER BLOCK .....	A60
ADJUSTING THE ANTI-HUNTING DEVICE .....	A60
ENGINE GOVERNOR SEALING POINTS .....	A60